



High Power RGBW LED

Features

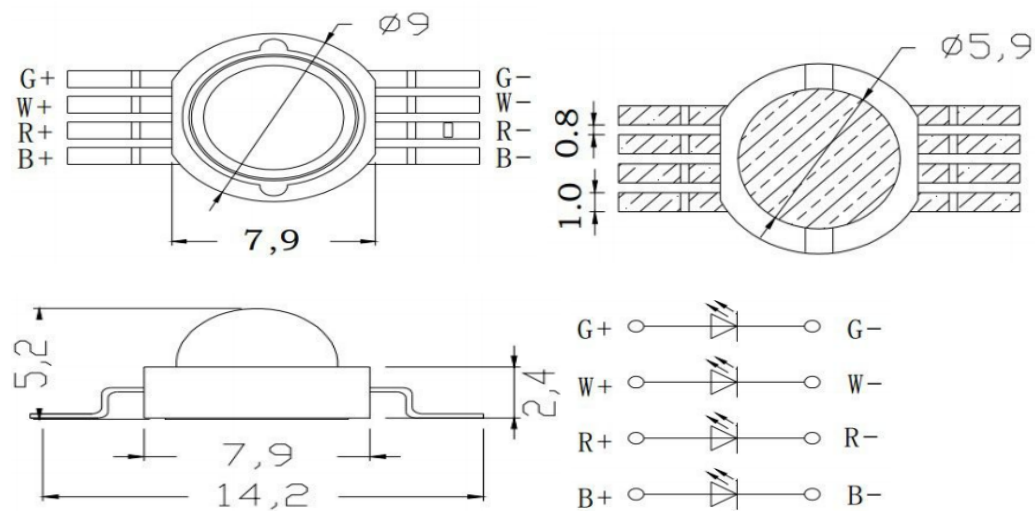
High brightness RGBW LED round package

Light output intensity grade Viewing angle 140 degree

Light color: RGBW

RoHS compliant

Dimensions



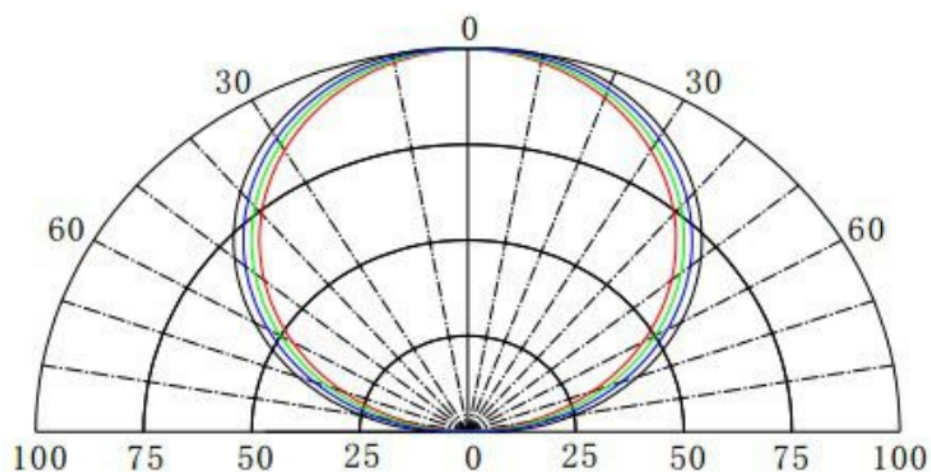
Notes:

1. All dimensions are in millimeters.
2. Tolerance is ± 0.1 mm unless otherwise noted.

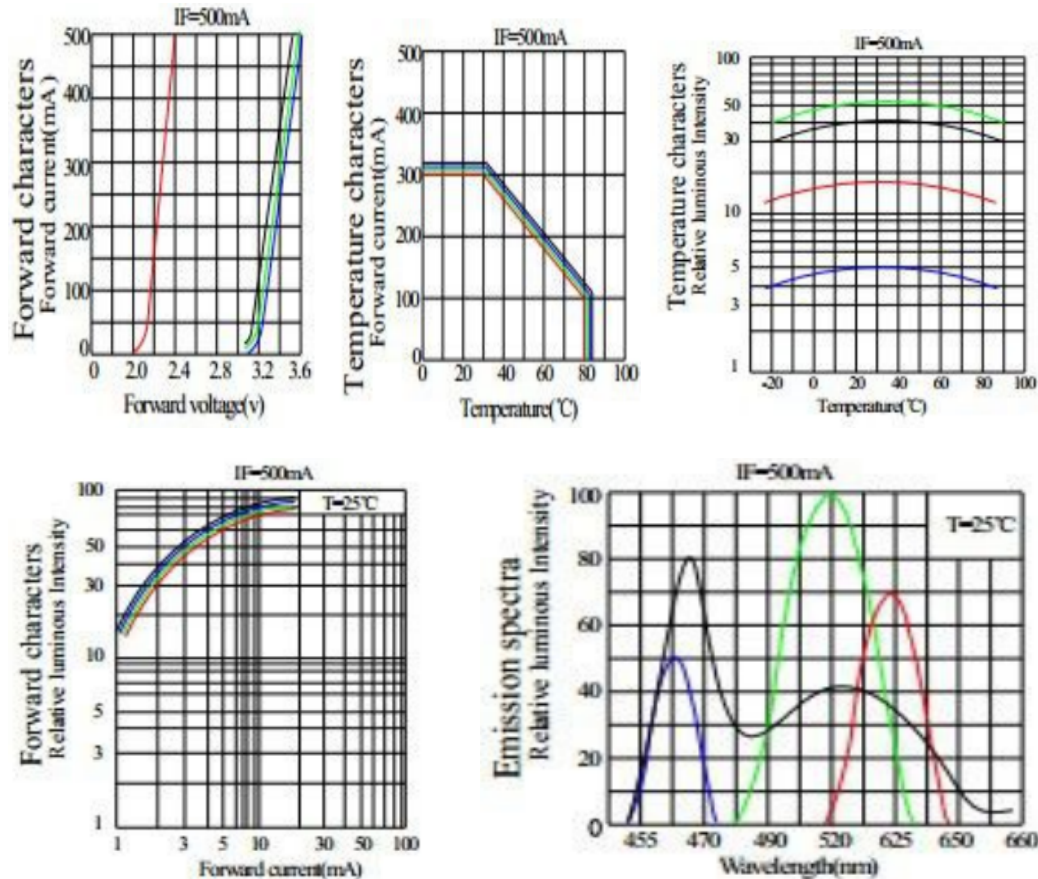
Absolute Maximum Rating @ $T_a = 25^\circ\text{C}$

Typical Electrical / Optical Character Curves

(25° Ambient Temperature Unless Otherwise Noted)



Typical electrical-optical Characteristics curves



Absolute Maximum Rating @ $T_a = 25^\circ\text{C}$

Parameter	Symbol	Maximum Rating	Unit
Continuous Forward Current	I_F	500	mA
Peak Forward Current (1/10 Duty Cycle, 0.1ms Pulse Width)	I_{Fp}	700	mA
Reverse Voltage	VR	5	V
Power Dissipation	PD	8	W
Electrostatic discharge	ESD	1000	V
Operating Temperature Range	TOPR	-25°C to +85°C	
Storage Temperature Range	TSTG	-35°C to +105°C	
Lead Soldering Temperature (3mm from the base of the epoxy bulb)	TSOL	360°C	

Electrical / Optical Characteristic @ Ta=25°C

Parameter	Symbol	Color	Min	Typ	Max	Unit	Test Condition
Forward Voltage	VF	R	2.2	2.4	2.6	V	IF=500mA
		G	3.2	3.4	3.6	V	IF=500mA
		B/W	3.2	3.4	3.6	V	IF=500mA
Luminous Flux	Φ	R	50	55	60	Lm	IF=500mA
		G	110	115	120	Lm	IF=500mA
		B/W	30/110	35/115	40/120	Lm	IF=500mA
Dominant Wavelength	Wld	R	620	622.5	625	nm	IF=500mA
		G	520	522.5	525	nm	IF=500mA
		B	460	462.5	465	nm	IF=500mA
Color Temperature	Tc	W	6000	6500	7000	K	IF=500mA
Reverse Current	IR				10	μA	VR=5V
Viewing Angle	2θ1/2			120	140	deg	IF=500mA
Recommended Forward Current	IF(rec)	RGB			350	mA	

tolerance of measurement of forward voltage±0.1V